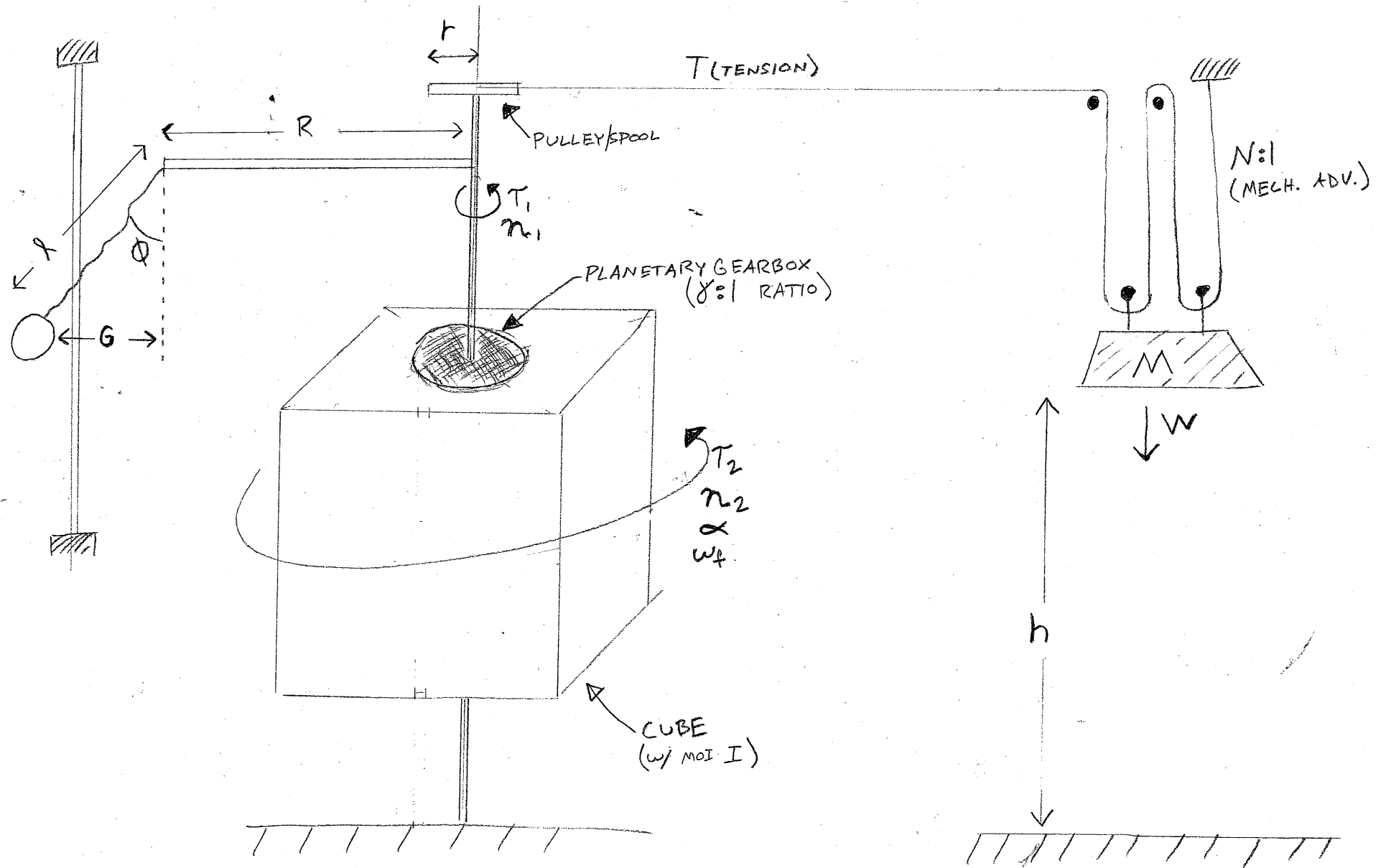
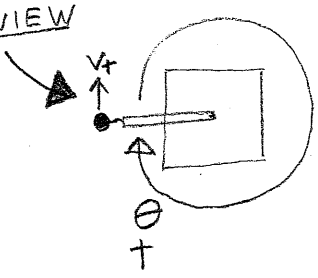


TOP VIEW



T (TENSION)

PULLEY/SPOOL

PLANETARY GEARBOX
(1 RATIO)

N:1
(MECH. ADV.)

T_2
 ω_2
 α
 ω_1

CUBE
(w/ MOI I)

h

W